

Manufacturer:

OilQuickAmericas  
155 Main Street  
Superior, WI 54880  
Phone: 262.607.8425  
Fax: 715.395.3703

E-mail: [info@oilquickamericas.com](mailto:info@oilquickamericas.com)  
Web: [www.oilquickamericas.com](http://www.oilquickamericas.com)

When ordering spare parts:

- Include the part number, description and desired quantities.
- Include your complete address.
- Specify how the parts are to be delivered.





## TABLE OF CONTENTS

### OQSS

#### 1.0 - OQSS SYSTEM

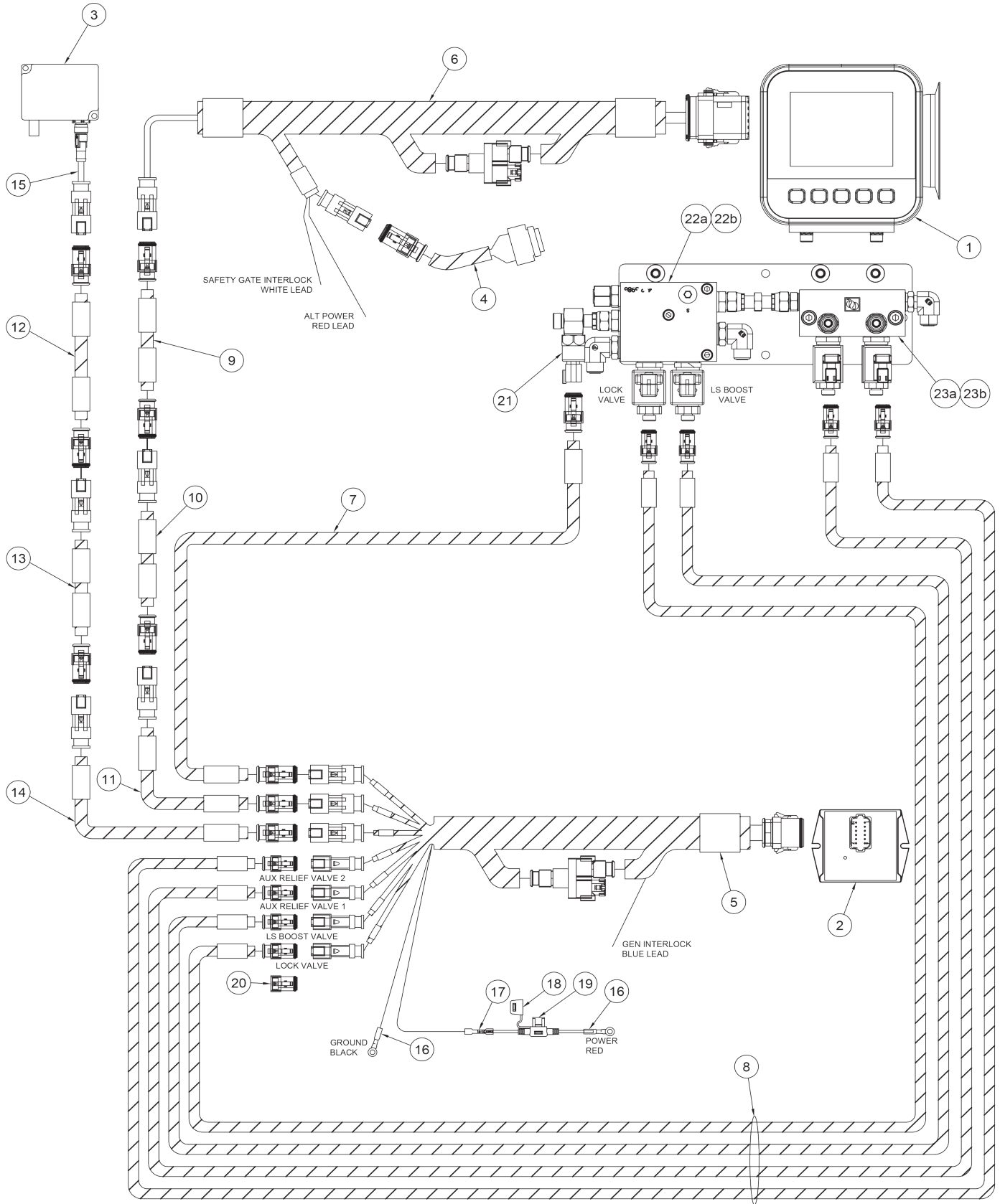
1.1 - OQSS COMPONENTS	4
1.2 - DISPLAY MODULE	6
1.3 - CHASSIS MODULE	7

#### 2.0 - CONTROL VALVES

2.1 - OQ4120613 - LOCK/PRESSURE BOOST VALVE (12 VDC OQ4129351)	8
2.2 - OQ4123124 - DEPRESSURIZATION VALVE (12 VDC OQ4123125)	10
2.3 - FACTORY VALVE ASSEMBLY (OQ60 - OQ120)	12
2.4 - FACTORY VALVE ASSEMBLY (OQ40 - OQ45-5)	14

# 1.0 - OQSS SYSTEM

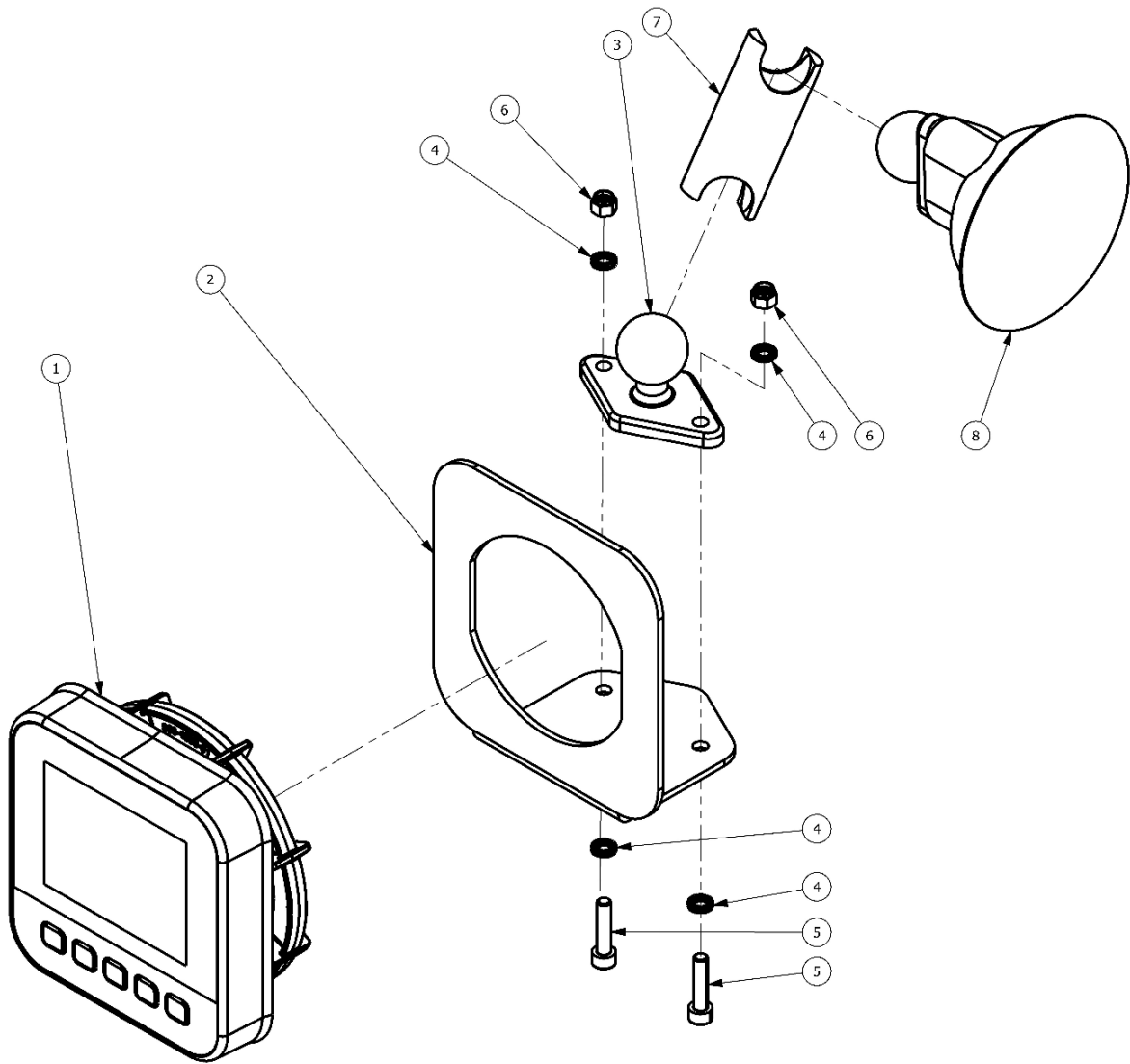
## 1.1 - OQSS COMPONENTS



ALL CABLES / HARNESES LABELED WITH PART NUMBER AT EACH END

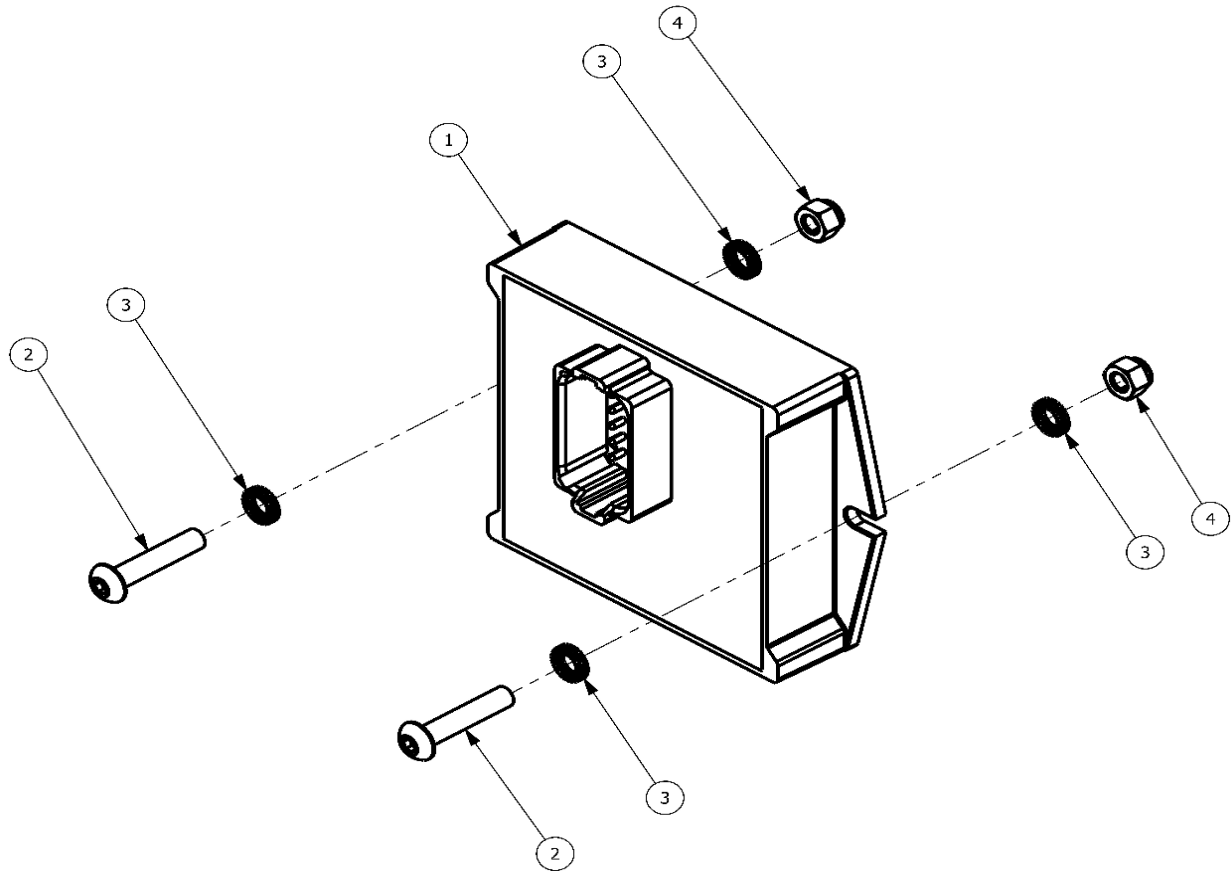
ITEM	PART#	NAME	QTY	UOM
1	OQE06265	OQ40-OQ120 OQSS DISPLAY	1	EA
2	OQE06266	OQ40-OQ120 OQSS CONTROL MODULE	1	EA
3	OQ1800514	LOCK SENSOR E-VA	1	EA
4	OQE06267	BUZZER ASSY THREE WIRE DT06-4S	1	EA
5	OQE05983	HARNESS CONTROL MODULE	1	EA
6	OQE05991	HARNESS DISPLAY	1	EA
7	OQE06338	CABLE DT PL/PL PSI SENSOR 4M	1	EA
8	OQE05995	CABLE DT PL/PL VALVE 3M	1-3	EA
9	OQE05992	CABLE DT PL/PL CAB 3M	0-1	EA
10	OQE05993	CABLE DT PL/RCPT CAB EXT 3M (OPTION)	0-2	EA
11	OQE05994	CABLE DT PL/RCPT CAB EXT 6M (OPTION)	1	EA
12	OQE05997	CABLE DT PL/PL SENSOR 2.5M	1	EA
13	OQE05998	CABLE DT PL/RCPT SENSOR 4M	1-3	EA
14	OQE05999	CABLE DT PL/RCPT SENSOR 10M	1-3	EA
15	OQE06592	CABLE OQSS SENSOR OQ40-5	1	EA
	OQE06593	CABLE OQSS SENSOR OQ45	1	EA
	OQE06594	CABLE OQSS SENSOR OQ60-5	1	EA
	OQE06595	CABLE OQSS SENSOR OQ65	1	EA
	OQE06596	CABLE OQSS SENSOR OQ70	1	EA
	OQE06597	CABLE OQSS SENSOR OQ70/55	1	EA
	OQE06598	CABLE OQSS SENSOR OQ80	1	EA
	OQE06599	CABLE OQSS SENSOR OQ90	1	EA
	OQE06600	CABLE OQSS SENSOR OQ120	1	EA
16	30-00864	HEAT SHRINK 22-18 RING TERMINAL, 10-24	2	EA
	30-00865	HEAT SHRINK 22-18 RING TERMINAL, 1/4"	2	EA
	30-00866	HEAT SHRINK 22-18 RING TERMINAL, 3/8"	2	EA
	30-00879	HEAT SHRINK 16-14 RING TERMINAL, 10-24	1	EA
	30-00880	HEAT SHRINK 16-14 RING TERMINAL, 1/4"	1	EA
	30-00881	HEAT SHRINK 16-14 RING TERMINAL, 3/8"	1	EA
17	30-00465	16-14 AWG Blue Crimp Butt Splice	3	EA
	30-00801	22-18 AWG Red Crimp Butt Splice	3	EA
18	30-00862	INLINE FUSE HOLDER MINI	1	EA
19	30-00863	FUSE 10 AMP MINI	1	EA
20	30-00877	CONNECTOR DUST PLUG AT06-2S-SS01	1-3	EA
21	OQE06340	SENSOR PRESSURE 7500 PSI 04MB DT	1	EA
22a	OQ4120613	VALVE - LOCK/OPEN POWERBOOST	1	EA
22b	OQ4129351	LOCK VALVE/POWER BOOST 12V (OQ40 / 45-5)	1	EA
23a	OQ4123124	VALVE - DEPRESSURIZATION 24V DT (OQ60-5 - OQ120)	1	EA
23b	OQ4123125	DEPRESSURIZATION VALVE DOUBLE, 12V (OQ60-5 - OQ120)	1	EA

## 1.2 - DISPLAY MODULE



ITEM	PART#	NAME	QTY	UOM
1	OQE06265	OQ40-OQ120 OQSS DISPLAY	1	EA
2	OQE05390	PLATE BENT M835 MOUNT	1	EA
3	OQE06268	RAM MT-DIAMOND BALL BASE-B	1	EA
4	OQ7072033	WASHER NORDLOCK M5 - 9.0 X 1.8	4	EA
5	OQ7060140	SCREW MC6S M5x22 12.9	2	EA
6	50-01096	NUT NYLOCK M5 - 0.8 Z_	2	EA
7	OQE05783	RAM MT SHORT ARM-B	1	EA
8	OQE05905	RAM MT-SUCTION BASE-B BALL	1	EA

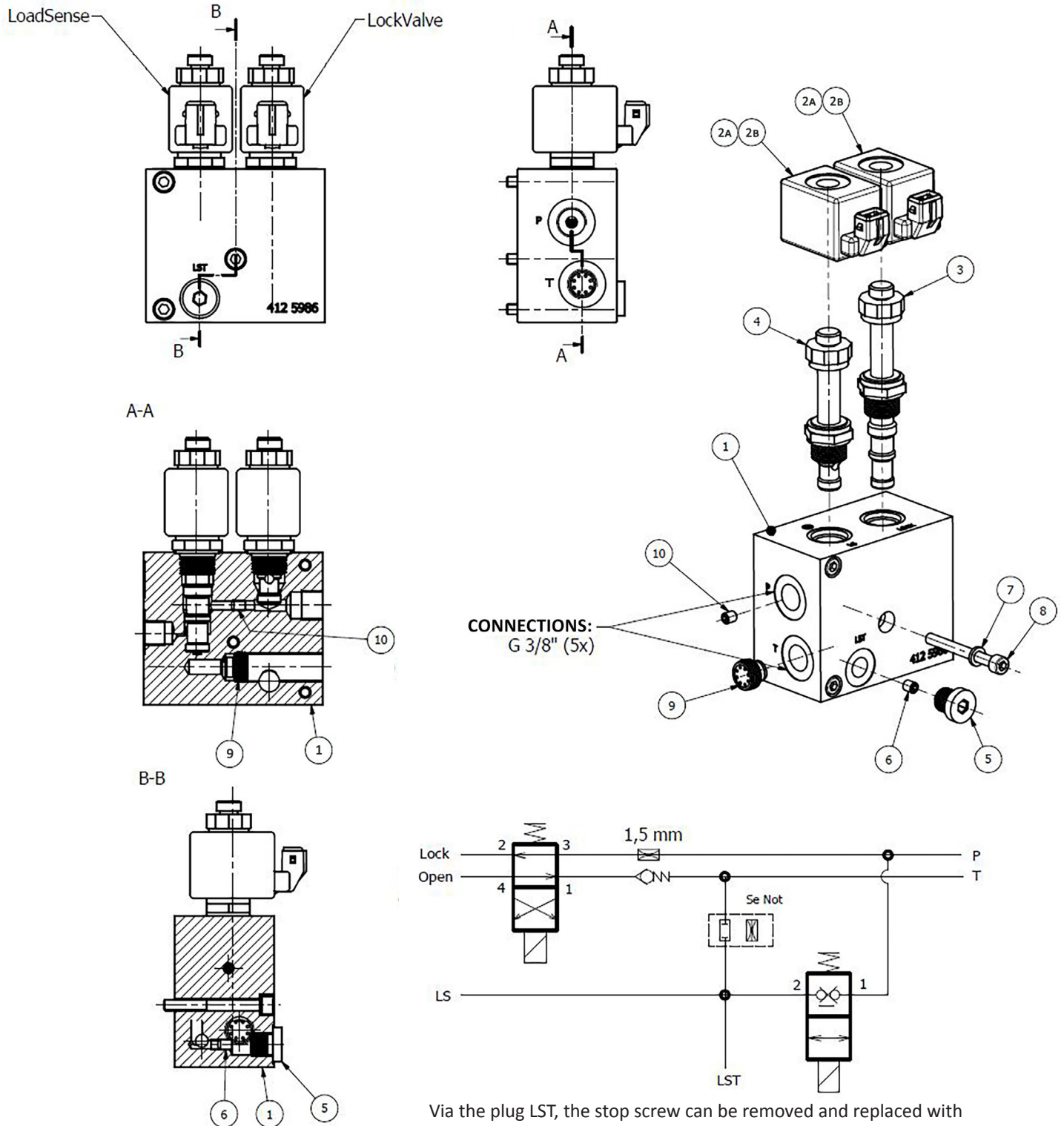
### 1.3 - CHASSIS MODULE



ITEM	PART#	NAME	QTY	UOM
1	OQE06266	OQ40-OQ120 OQSS CONTROL MODULE	1	EA
2	50-01348	BH CS M5 - 0.80 X 25 Z-10.9	2	EA
3	OQ7072033	WASHER NORDLOCK M5 - 9.0 X 1.8	4	EA
4	50-01096	NUT NYLOCK M5 - 0.8 Z_	2	EA

## 2.0 - CONTROL VALVES

### 2.1 - OQ4120613 - LOCK/PRESSURE BOOST VALVE (12 VDC OQ4129351)



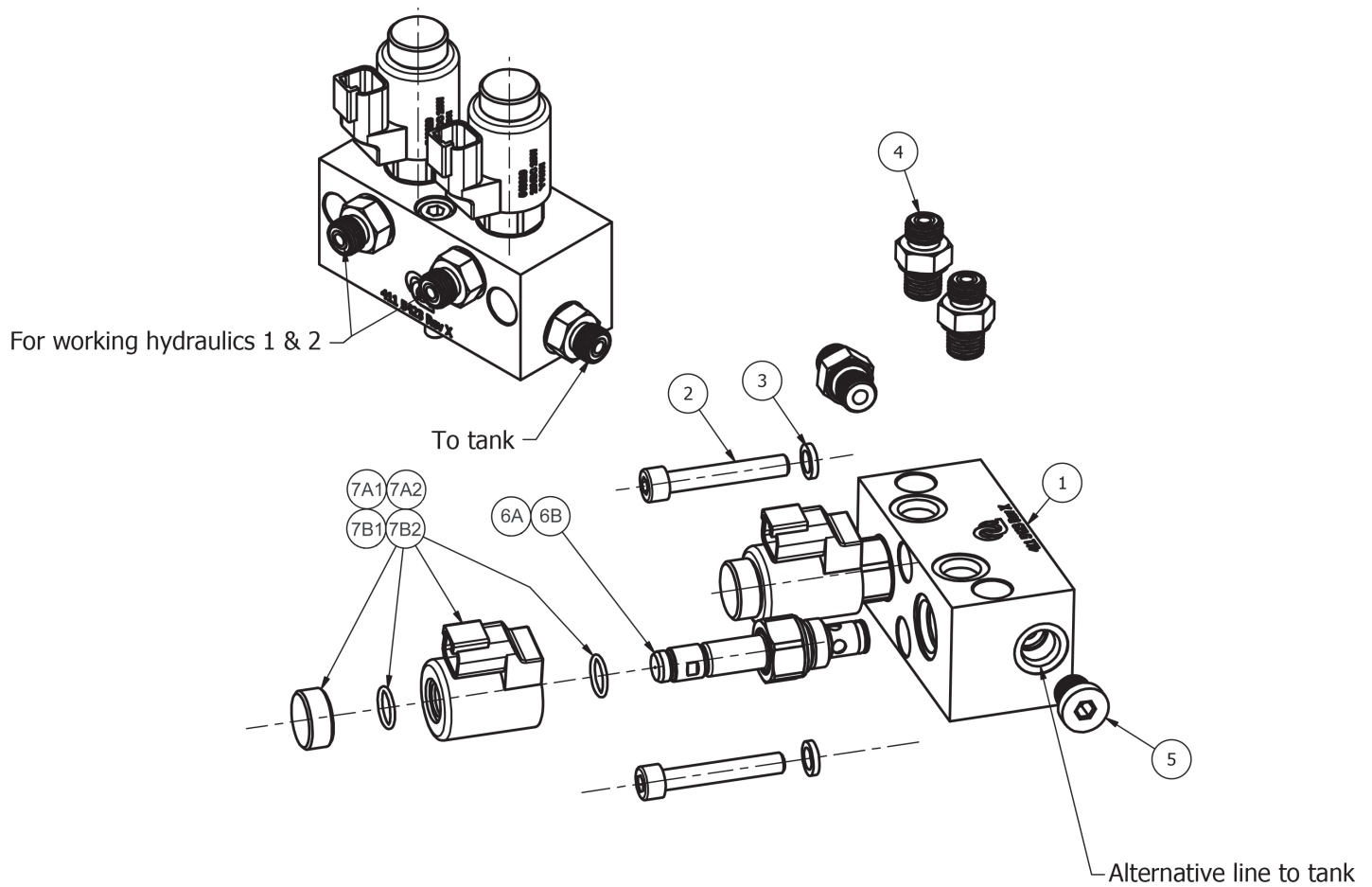
Via the plug LST, the stop screw can be removed and replaced with an M6 throttle. This may be necessary for the LS signal to function correctly.

Hydraulic components cleanliness requirements according to OQ 600 0109



ITEM	PART NO.	NAME	QTY	UOM
1	OQ4125986	LOCK - POWERBOOST VALVE BLOCK	1	EA
2A	OQ7005057	SOLENOID 24V LOCK-POWER BOOST VALVE	2	EA
2B	OQ7005079	SOLENOID 12V LOCK VALVE/POWER BOOST	2	EA
3	OQ7005053	VALVE CARTRIDGE 6/2 (LOCKING SIDE)	1	EA
4	OQ7005054	VALVE CARTRIDGE 2/2 (POWERBOOST SIDE)	1	EA
5	OQ7200283	FTG-HYD 04MBSPP PLUG SEAL E	1	EA
6	OQ7060011	SCREW SK6SS M6x8	1	EA
7	OQ7072020	WASHER NORDLOCK M6	3	EA
8	OQ7060076	SCREW MC6S M6x55 12.9	3	EA
9	OQ7009024	LOCK - POWER BOOST CHECK VALVE	1	EA
10	OQ4125987	M6 ORIFICE (1.5MM)	1	EA

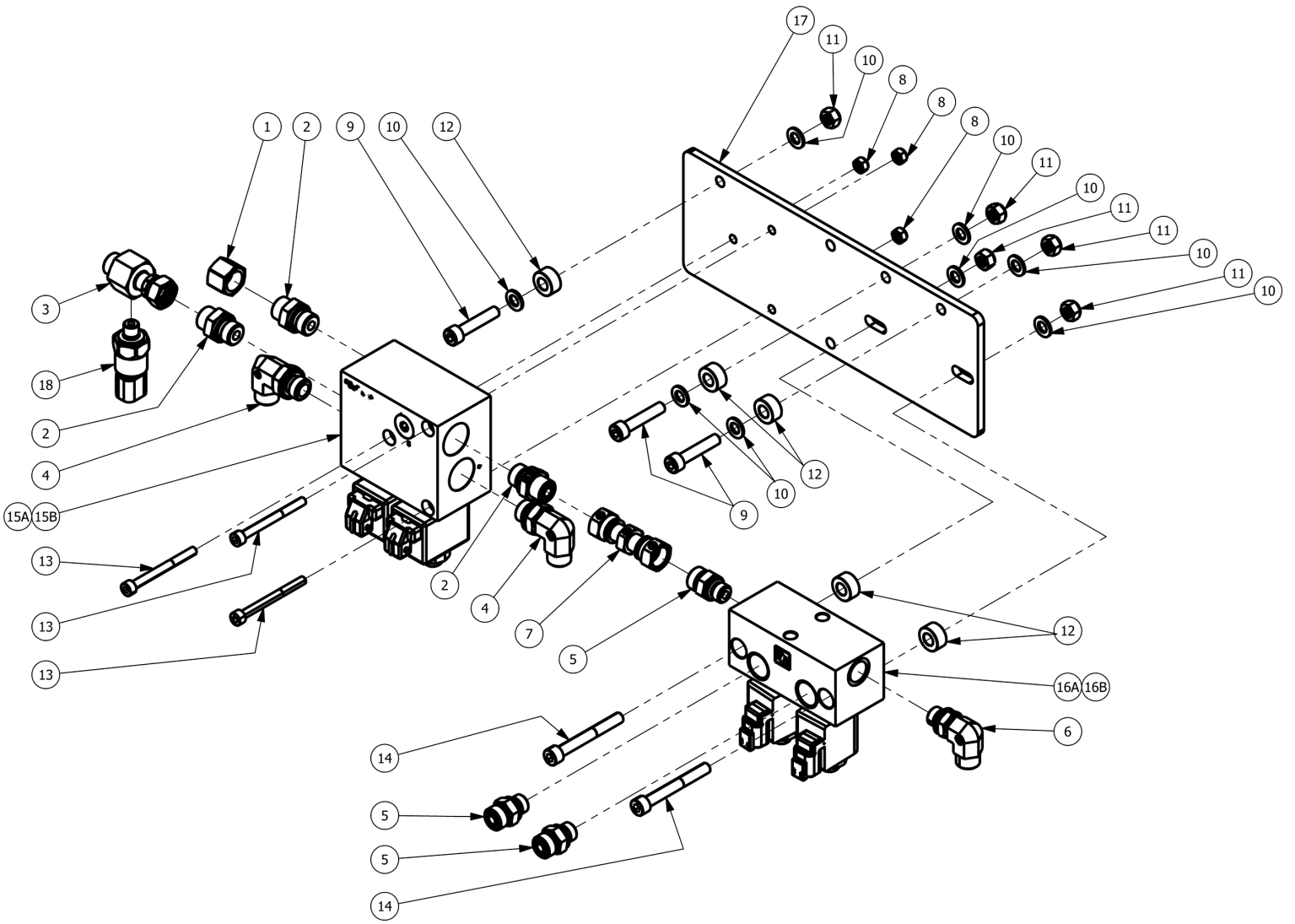
## 2.2 - OQ4123124 - DEPRESSURIZATION VALVE (12 VDC OQ4123125)



ITEM	PART#	NAME	QTY	UOM
1	OQ4115423	HYDRAULIC BLOCK, DEPRESSURIZING KIT	1	EA
2	OQ7060056	SCREW MC6S M8 - 1.25 x 80 12.9	2	EA
3	50-00773	WASHER NORDLOCK M8	2	EA
4	OQ7200207	NIPPLE ORFS04 UF-M14x1,5 UF	3	EA
5	OQ7200214	PLUG M14x1,5	2	EA
6A	OQ7005082	VALVE CARTRIDGE 2/2 PRV WTB	2	EA
6B	OQ7005069	VALVE CARTRIDGE 2/2 PRV PARKER	2	EA
7A1	OQ7005083	SOLENOID 28V, DT, DEPRESSURIZING	2	EA
7B1	OQ7005070	SOLENOID 24V, DT, DEPRESSURIZING SQUARE	2	EA
7A2	OQ7005084	SOLENOID 12V, DT, DEPRESSURIZING ROUND	2	EA
7B2	OQ7005071	SOLENOID 12V, DT, DEPRESSURIZING SQUARE	2	EA



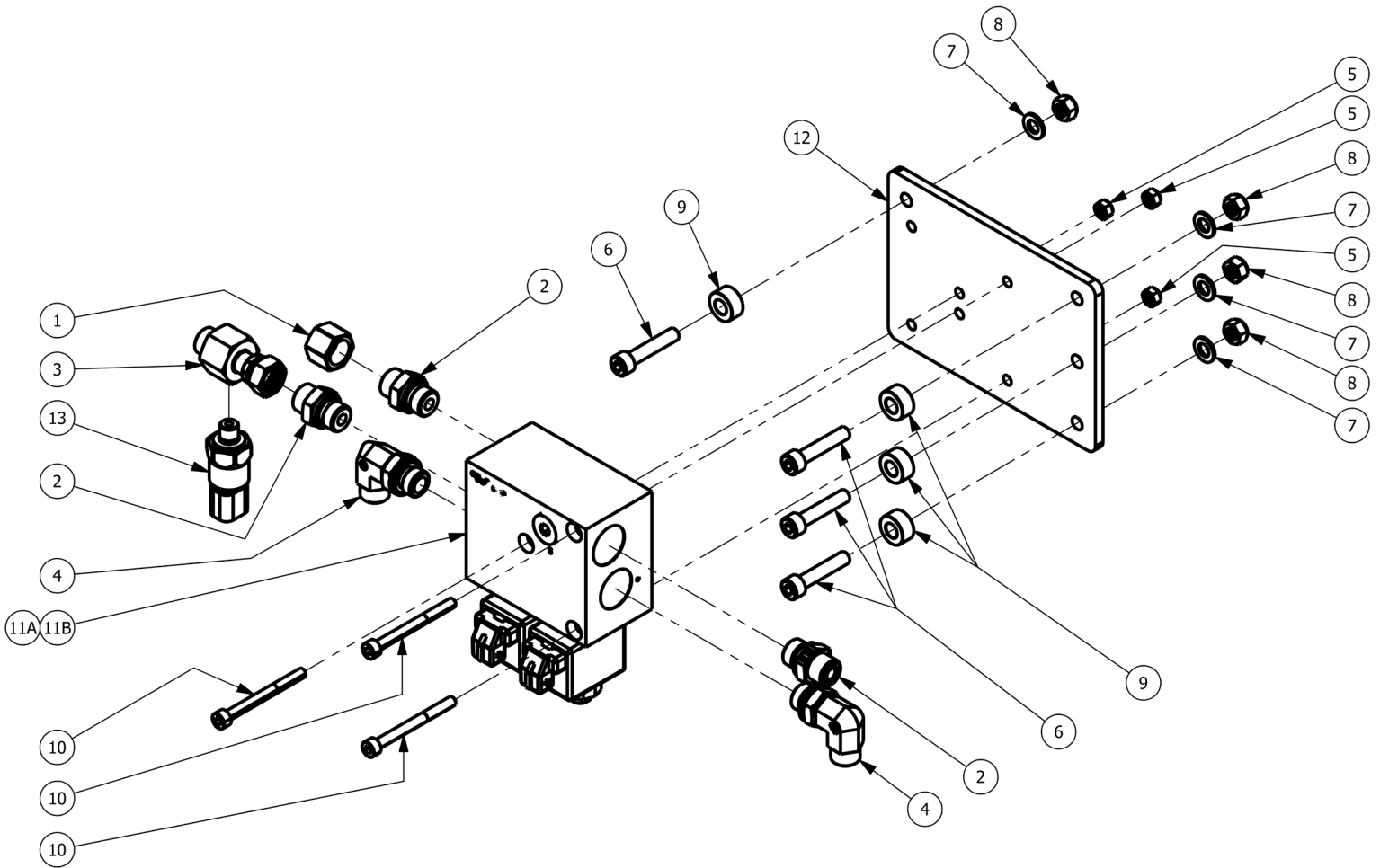
### 2.3 - FACTORY VALVE ASSEMBLY (OQ60 - OQ120)



\*\*\*NOT ALL COMPONENTS USED IN ALL INSTALLATIONS\*\*\*

ITEM	PART#	NAME	QTY	UOM
1	40-00371	FTG-HYD 06FOX CAP	1	EA
2	40-00516	FTG-HYD 06MBSPP-06MO	3	EA
3	40-00522	FTG-HYD 06FOX-06MO-04FB DIAGNOSTIC TEE	1	EA
4	40-02103	FTG-HYD 06MBSPP-06MO-90	2	EA
5	40-02252	FTG-HYD 06MO-M14 ISO 6149	3	EA
6	40-02289	FTG-HYD 14MM-06MB-90	1	EA
7	40-02417	FTG-HYD 06FOX-06FOX	1	EA
8	50-00191	NUT NYLOCK M6 - 1.00 Z_10	3	EA
9	50-00437	SH CS M8 - 1.25 X 40 Z_12.9	3	EA
10	50-00493	WASHER M8 - 16.0 X 1.6 Z	9	EA
11	50-00754	NUT NYLOCK M8 Z_10.9	5	EA
12	50-00837	SPACER 0.375" X 0.750" X 0.375"	5	EA
13	50-00839	SH CS M6 - 1.00 X 65 _12.9	3	EA
14	50-00844	SH CS M8 - 1.25 X 65 Z_12.9	2	EA
15a	OQ4120613	VALVE - LOCK/OPEN POWERBOOST	1	EA
15b	OQ4129351	LOCK VALVE/POWER BOOST 12V (OQ40 / 45-5)	1	EA
16a	OQ4123124	VALVE - DEPRESSURIZATION 24V DT	1	EA
16b	OQ4123125	DEPRESSURIZATION VALVE DOUBLE, 12V	1	EA
17	OQE01048	MOUNT PLATE OQ COUPLED VERSION	1	EA
18	OQE06340	SENSOR PRESSURE 7500 PSI 04MB DT	1	EA

### 2.3 - FACTORY VALVE ASSEMBLY (OQ40 - OQ45-5)



\*\*\*NOT ALL COMPONENTS USED IN ALL INSTALLATIONS\*\*\*

ITEM	PART#	NAME	QTY	UOM
1	40-00371	FTG-HYD 06FOX CAP	1	EA
2	40-00516	FTG-HYD 06MBSPP-06MO	3	EA
3	40-00522	FTG-HYD 06FOX-06MO-04FB DIAGNOSTIC TEE	1	EA
4	40-02103	FTG-HYD 06MBSPP-06MO-90	2	EA
5	50-00191	NUT NYLOCK M6 - 1.00 Z_10	3	EA
6	50-00437	SH CS M8 - 1.25 X 40 Z_12.9	4	EA
7	50-00493	WASHER M8 - 16.0 X 1.6 Z	4	EA
8	50-00754	NUT NYLOCK M8 Z_10.9	4	EA
9	50-00837	SPACER 0.375" X 0.750" X 0.375"	4	EA
10	50-00839	SH CS M6 - 1.00 X 65 _12.9	3	EA
11a	OQ4120613	LOCKING VALVE OQLS/OQCS	1	EA
11b	OQ4129351	LOCK VALVE/POWER BOOST 12V (OQ40 / 45-5)	1	EA
12	OQE01878	MOUNT PLATE OQ LOCK VALVE OQ40_OQ45	1	EA
13	OQE06340	SENSOR PRESSURE 7500 PSI 04MB DT	1	EA

Dealer:



OilQuickAmericas  
155 Main Street  
Superior, WI 54880  
Phone: 262.607.8425  
Fax: 715.395.3703

E-mail: [info@oilquickamericas.com](mailto:info@oilquickamericas.com)  
Web: [www.oilquickamericas.com](http://www.oilquickamericas.com)